



Remote Chiller Accessories For Models: SJ5-Q, SJ10-Q and SJ19-Q

42518 Wall Box Assembly

- Galvanized steel enclosed box frame
- Designed for use with the SJ5-Q, SJ10-Q and SJ19-Q chillers
- Kit includes panels, screws and bracket hangar
- Grill cover must be ordered separately
- **Shipping Weight:** 38 lbs.

Use part #734251843730 when ordering.

26784C / 26785C Grill

- Grill for covering opening of the 42518 wall box assembly
- Designed for use with the SJ5-Q, SJ10-Q and SJ19-Q chillers
- Specify part number 26784C when ordering *stainless steel grill*
- Specify part number 26785C when ordering *platinum vinyl grill*

42505 Shelf and Cover

- Shelf and cover designed to allow SJ5-Q, SJ10-Q and SJ19-Q chillers to be mounted on a wall
- Kit includes platinum vinyl cover, galvanized steel shelf, steel angle brackets, mounting bracket and screws
- **Shipping Weight:** 44 lbs.

Use part #734250548410 when ordering.

NOTE: Continued product improvement makes specification subject to change without notice. See Halsey Taylor website for most current spec sheet.

JOB NAME: _____

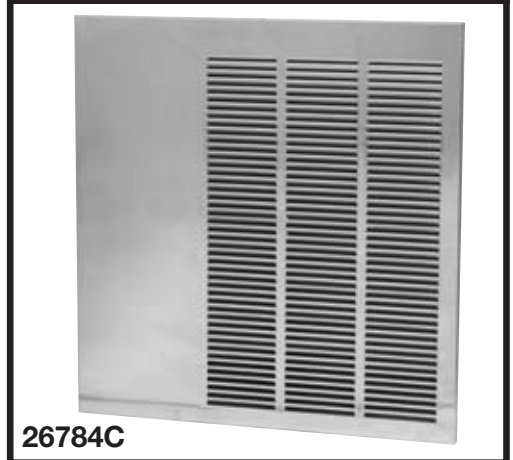
ENGINEER/CONTRACTOR NAME: _____

APPROVAL: _____
DATE: _____

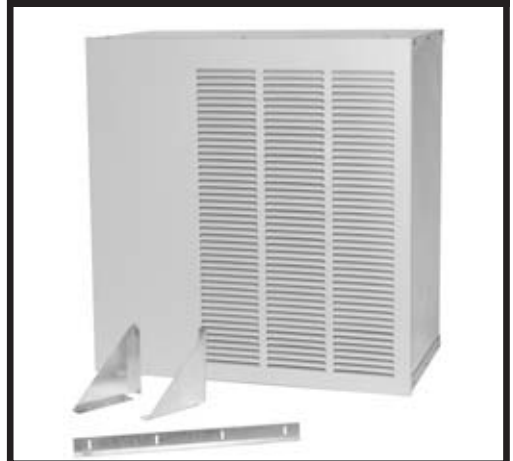
Wall Box Assembly



Grill Cover

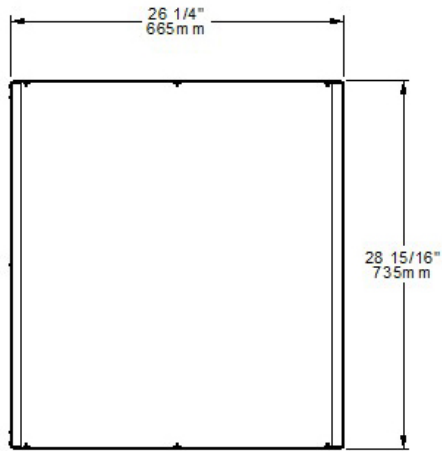


Shelf and Cover

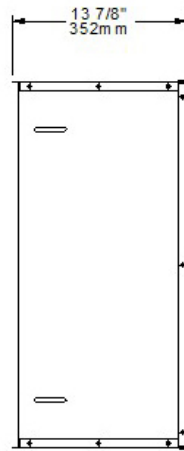


42518 Wall Box Assembly

FRONT VIEW

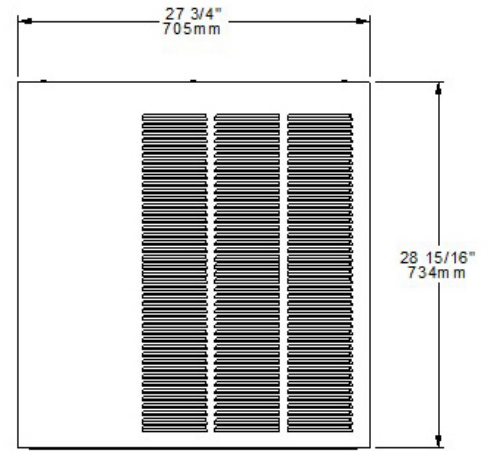


SIDE VIEW



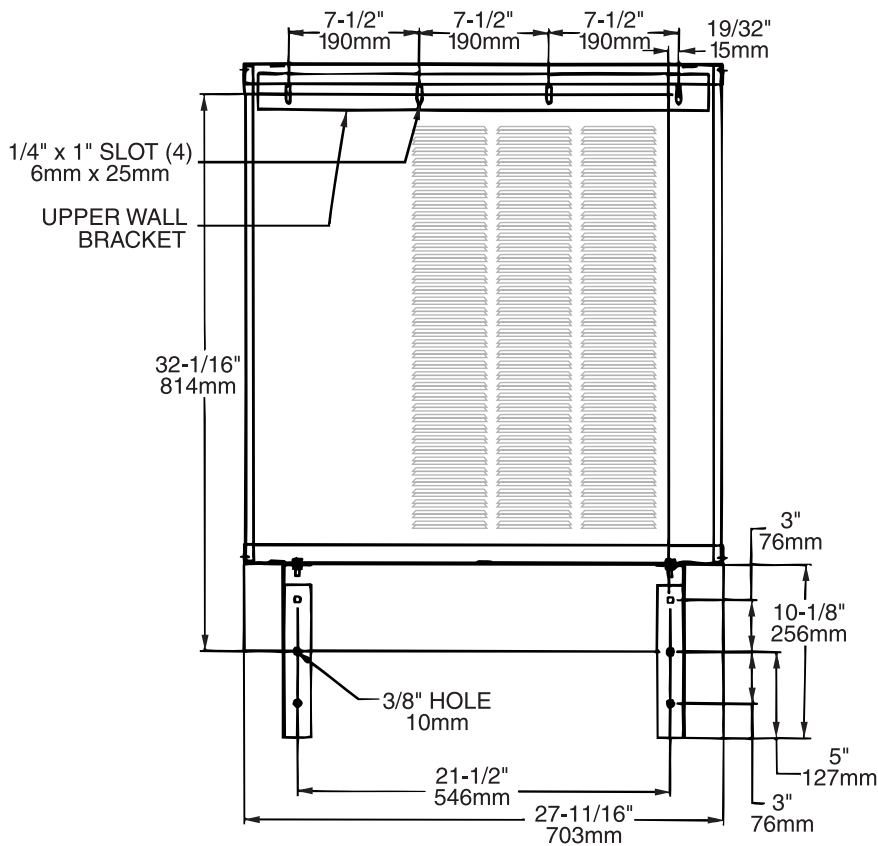
26784C Grill Cover

FRONT VIEW



42505 Shelf And Cover

FRONT VIEW



SIDE VIEW

